



Country Update Austria





Country Update Austria

➤ Projects

➤ FCH REFuel:

- A modular scalable and cost effective hydrogen supply infrastructure for industrial, automotive and mobile applications. Therefore standardized modules like high pressure 350 bar electrolyzer module, 700 bar single stage compressor module, a storage and dispenser modul for both pressure levels will be developed and implemented. Furthermore an existing battery-powered transport vehicle for municipal and urban applications (ELI) will be upgraded with a fuel cell range extender system (H2ELI) to enlarge range and minimize refueling time.



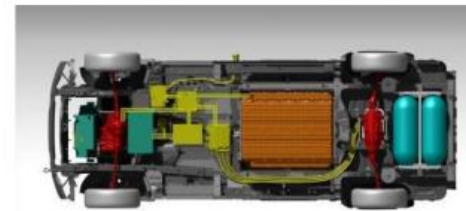
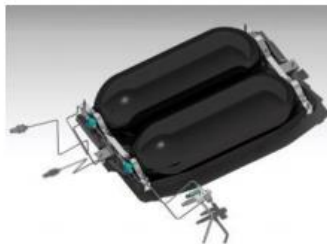


Country Update Austria

➤ **FCH REEV:**

Fuel Cell Range Extended Electrical Vehicle

Extension of a battery-powered **vehicle** with a **fuel cell system (25 kW)** and a **700 bar hydrogen storage system** for extended driving range (> 400 km)



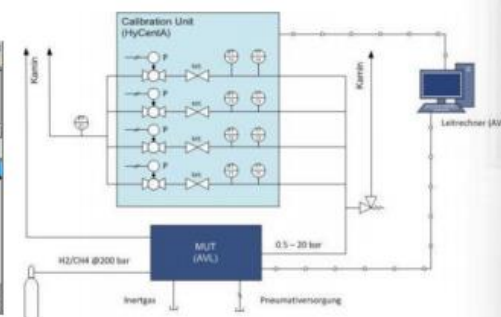


Country Update Austria

➤ FCH Media (HyCentA):

Research activities on instrumentation and actuation of fuel cell test benches with

- High dynamic **conditioning of hydrogen and air** as well as
- **Dynamic flow measurement** including appropriate calibration techniques.

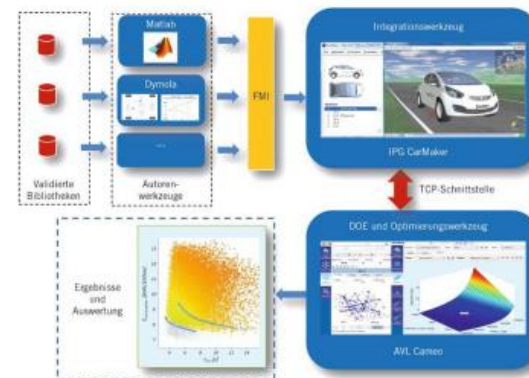
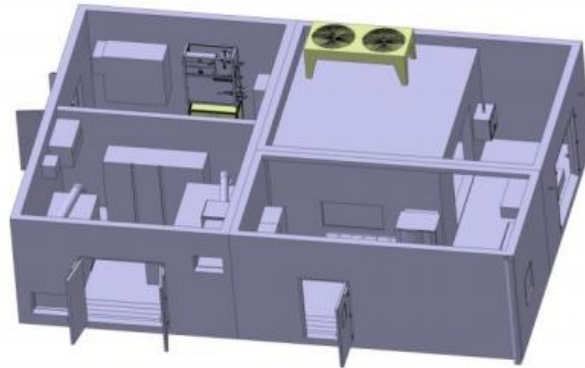




Country Update Austria

➤ HIFAI – RSA (HyCentA):

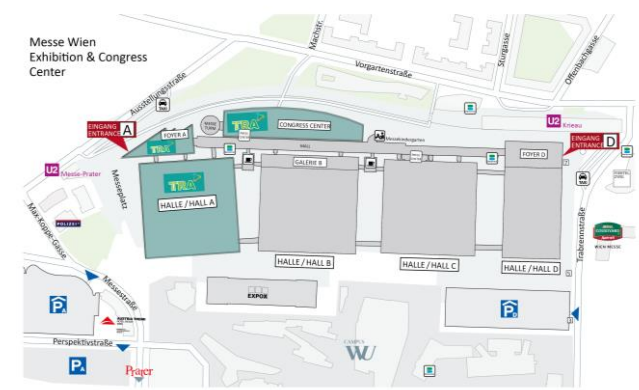
- **System integration test bench** for scientific research on **150 kW PEM fuel cell systems**
- **Hardware in the Loop**, real time simulation of vehicle, driver and driving cycles
- **Continuous tool chain** for applications of fuel cell systems, from simulation, optimization through to verification on the test bench





Country Update Austria

TRA 2018: Transport Research Arena
Europe's biggest Transport R&D conference



28th IPHE Steering Committee Meeting The Hague, Netherlands, November 21, 2017